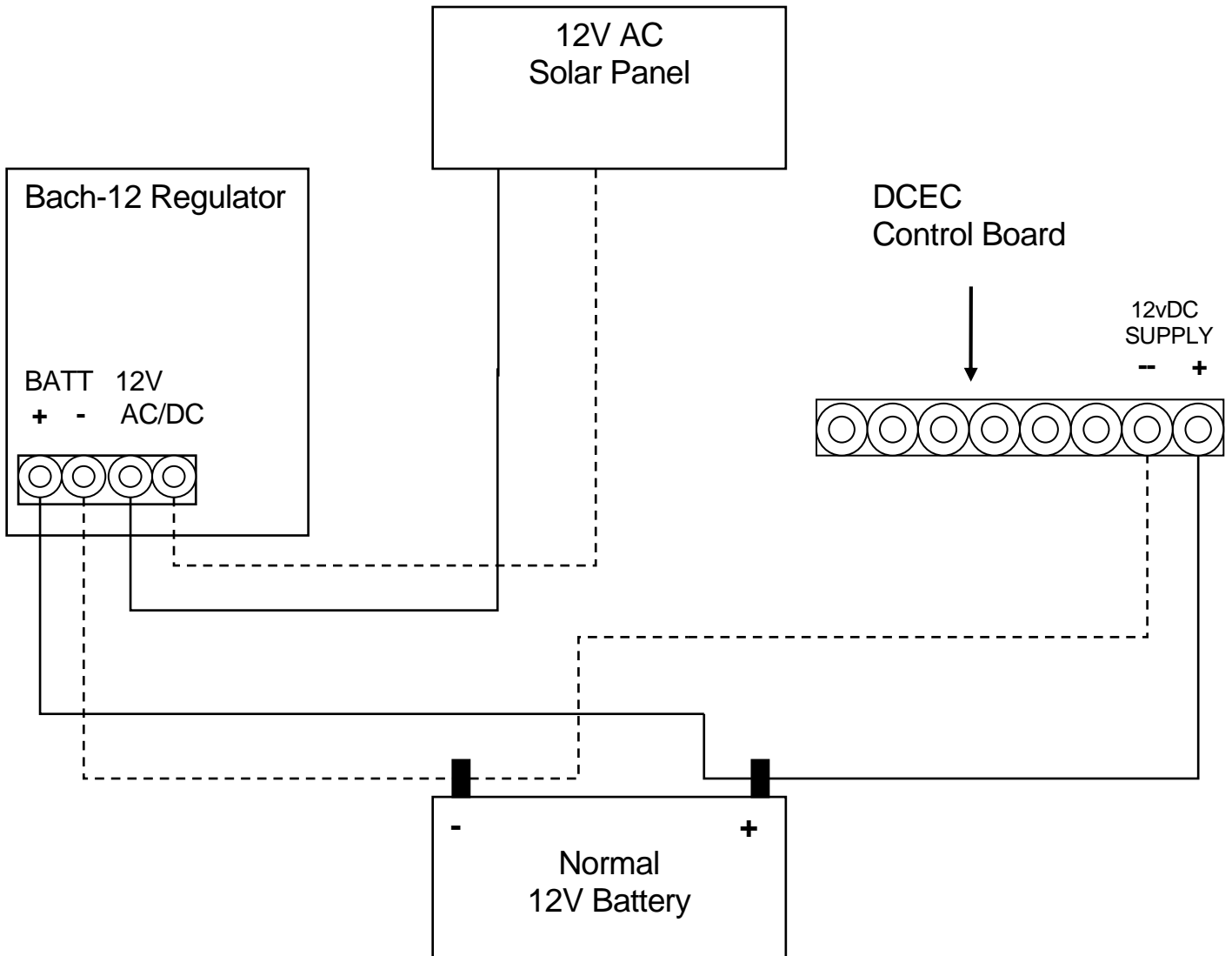


These wiring diagrams are for using a Bach-12 Regulator card to give 12v regulation and 200mah output charge for the DCEC control board. With the AC connections, '+ or - / - or +' makes no difference.

Note: The dashed line represents the 'earth' or 'black' wire.



Note: If you are still unsure of the wiring connections after reading these instructions, please call us for further technical assistance.